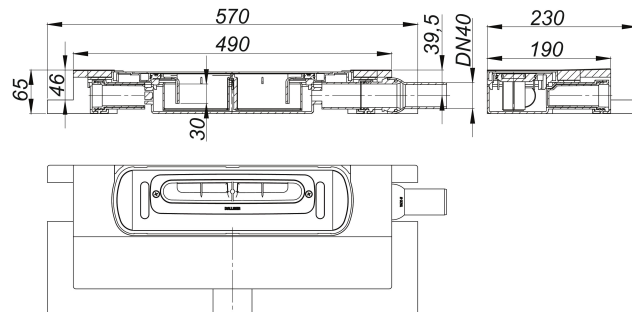


Drain body DallFlex Plan EPS assembled, DN 40

Part number: 539311
 GTIN: 4001636539311
 Rebate group: 11



Description:

Drain body DallFlex Plan EPS assembled, DN 40

for installation with shower channels CeraFloor, CeraWall, CeraFrame, Zentrix and CeraNiveau.

Outlet DN 40 horizontal, can be positioned on three sides without tools, with ball-joint, adjustable 0 – 15 degrees

specification

- EPS factory assembled housing for easy adjustment and fixing with tile adhesive
- flexible sealing collar for secure bonding of under-tile waterproofing
- accessories for sound insulated installation
- sound absorbing and height adjustable levelling legs
- removable trap insert, 30 mm water seal (deviating to DIN EN 1253)
- temporary blanking plate

Material

Drain body and outlet polypropylene, highly impact-resistant; housing expanded polystyrene rigid foam (EPS)

Flow rates tested to DIN EN 1253:

Nominal diameter	Product standard	Min. flow rate according to norm	Water level according to norm	Flow rate at water level 20 mm
DN 40	DIN EN 1253	0.40 l/s	20.00 mm	0.40 l/s

Spare parts:

535511 trap insert DallFlex Plan