

Shower channel **CeraLine F**



DALLMER

Important notes

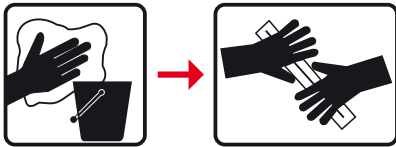
The relevant processing guidelines of all trades involved must be considered!

Note: Bonded waterproofings are to be executed according to DIN 18534 - Interior waterproofing. The connection to the drainage system / sealing collar has to be made according to the installation constructions of the company Dallmer GmbH + Co.KG.

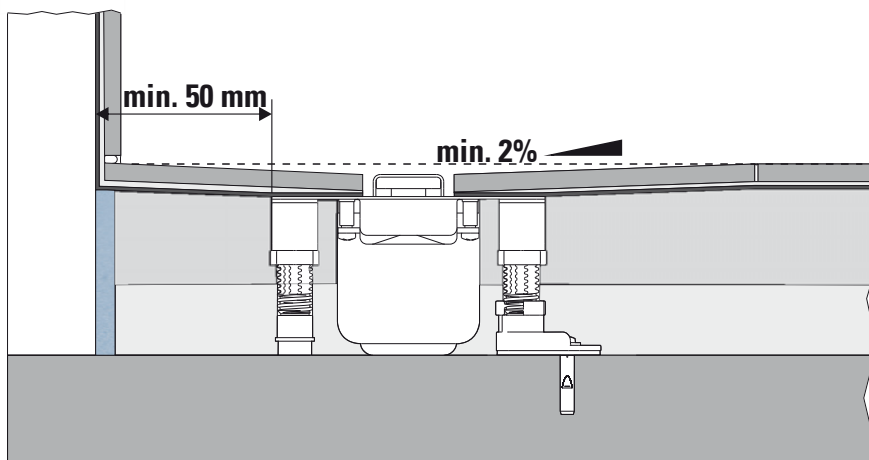
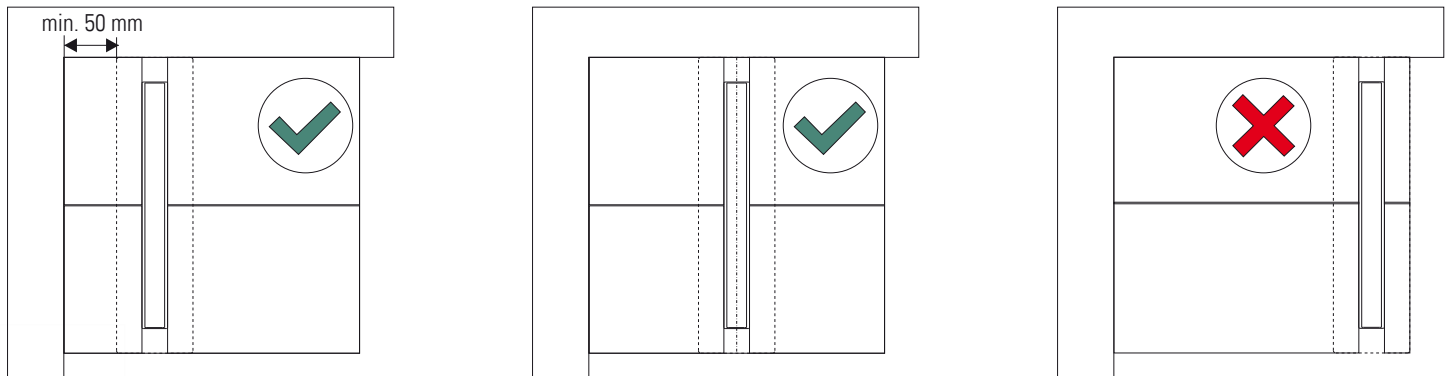
The natural stone must be suitable for use in level access showers or be protected against moisture penetration by appropriate measures!

All technical data of the installation manual has been prepared with care, subject to subsequent corrections of obvious errors.

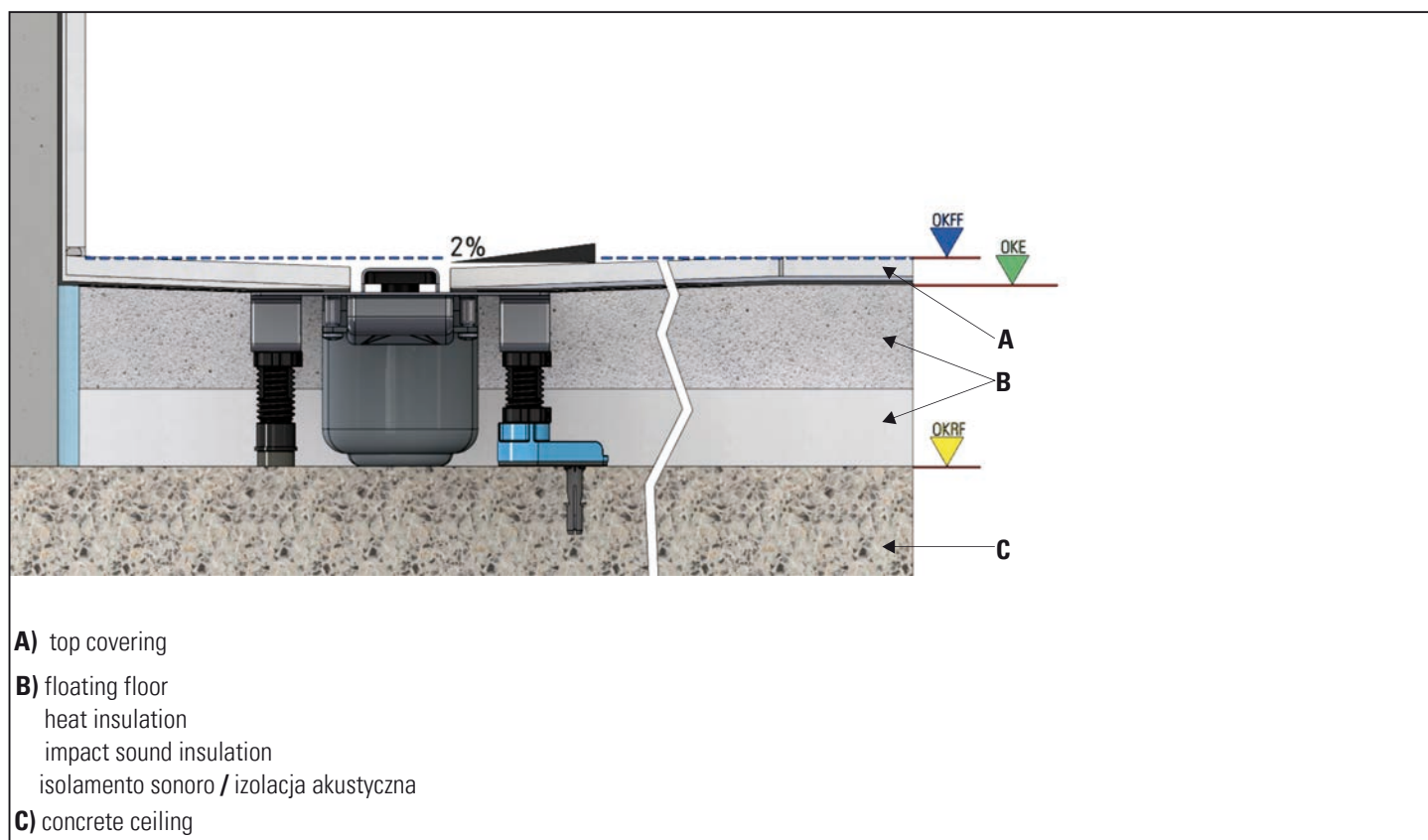
Note: Compliance with this installation recommendation is required for a warranty claim based on our sales and delivery conditions.



Hand over the cleaning and care instructions to the client



Important notes



OKFF

OKFF is the German abbreviation for the upper edge of the finished floor. (officially: finished floor level).

OKE

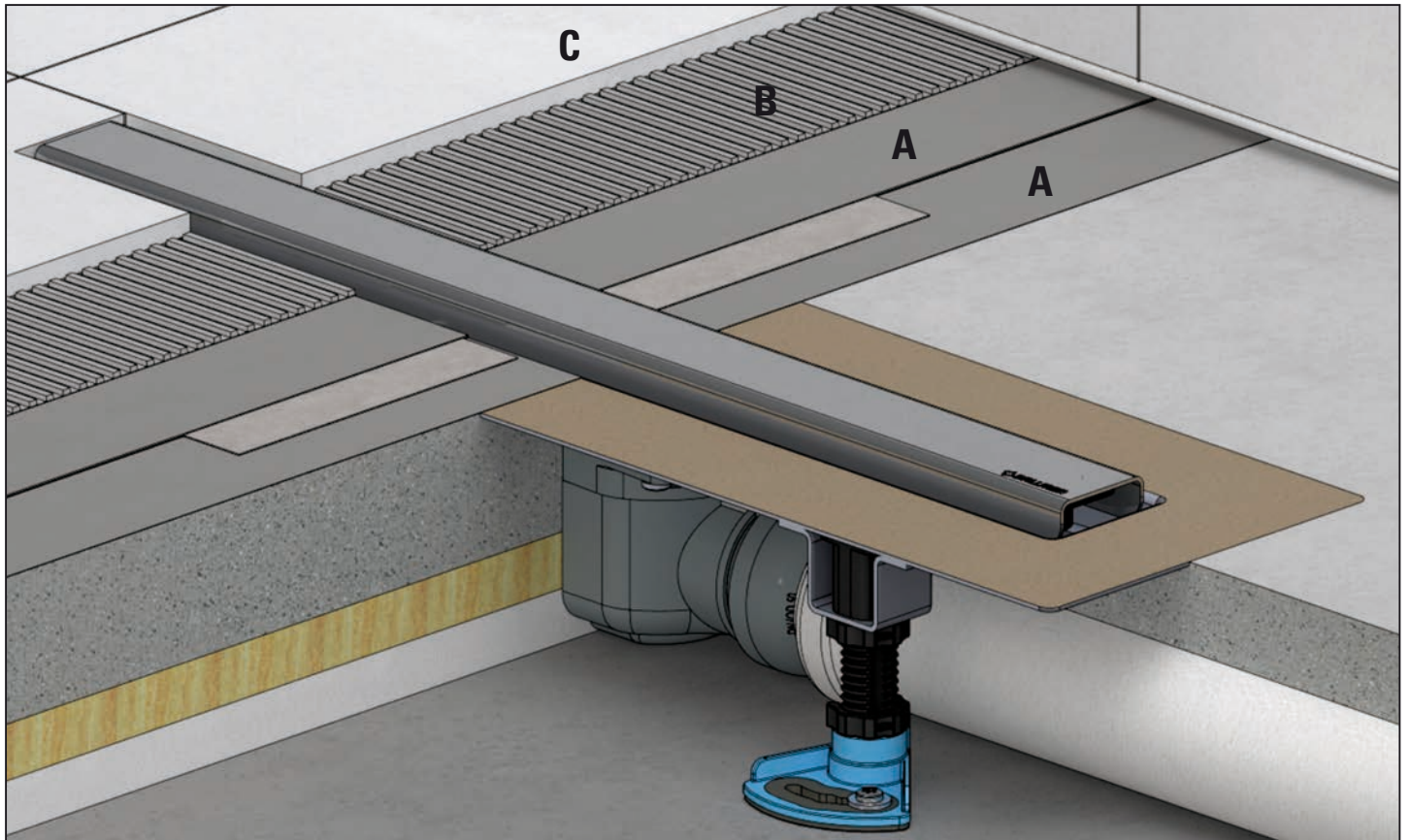
is the German abbreviation for: the upper edge of the screed



OKRF

OKRF is the German abbreviation for: the upper edge of the unfinished floor surface, e.g. the concrete surface.

Floor covering

- A)** Combination sealing
- B)** Adhesive layer
- C)** Floor covering



Cover plates	included 	accessories  523976
Covering	Tile	Natural stone
Floor covering	A + B + C 2 mm* - 27 mm**	A + B + C 13 mm* - 40 mm**
Standard*	2 - 14 mm	13 - 27 mm
Design	3 - 17 mm	16 - 30 mm
Individual**	13 - 27 mm	26 - 40 mm
Glass	6 - 20 mm	19 - 33 mm

Flow rate

CeraLine F

Flow rate testet to DIN EN 1253 (with 20 mm water over grate)

	Required	Dallmer
DN 50	0,8 l/s	0,78 / 0,84 l/s

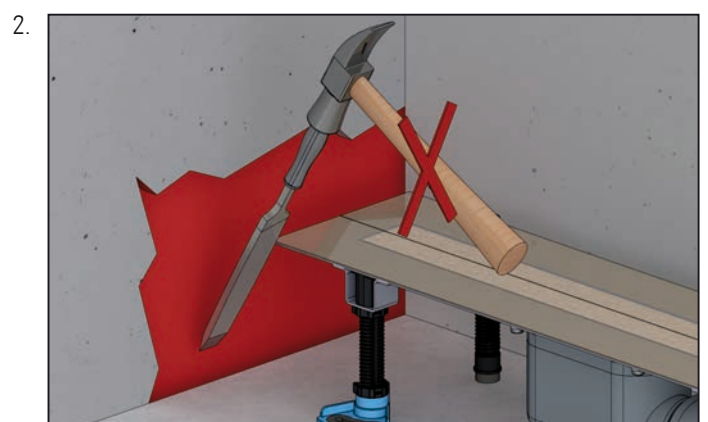
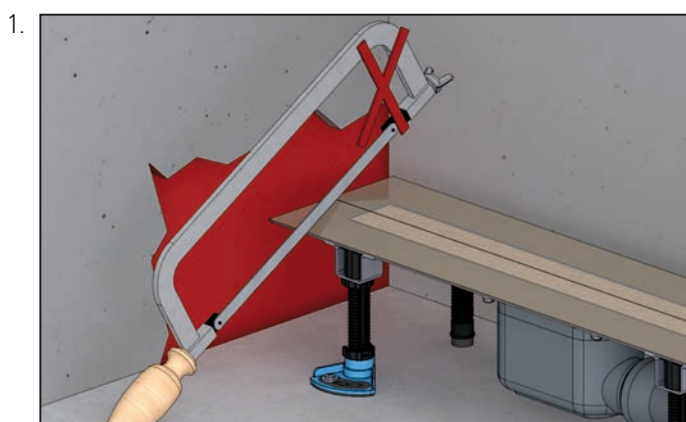
CeraLine F Duo

Flow rate testet to DIN EN 1253 (with 20 mm water over grate)

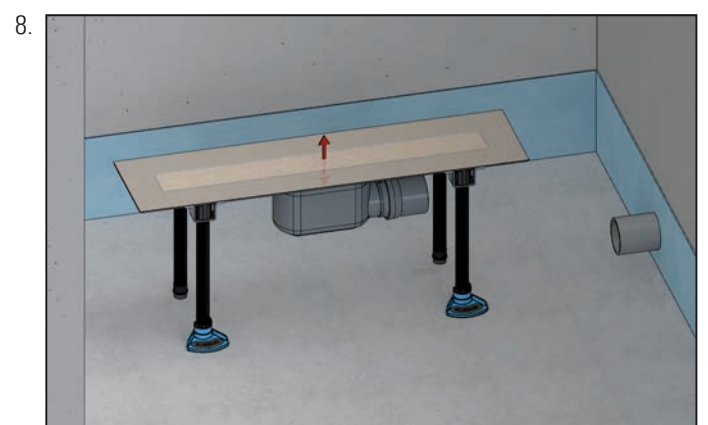
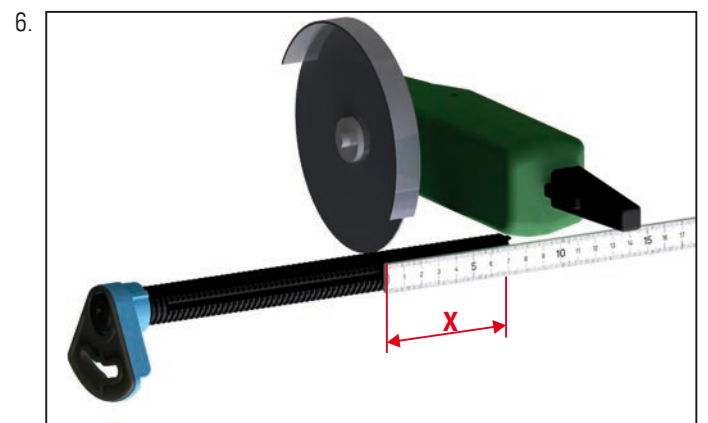
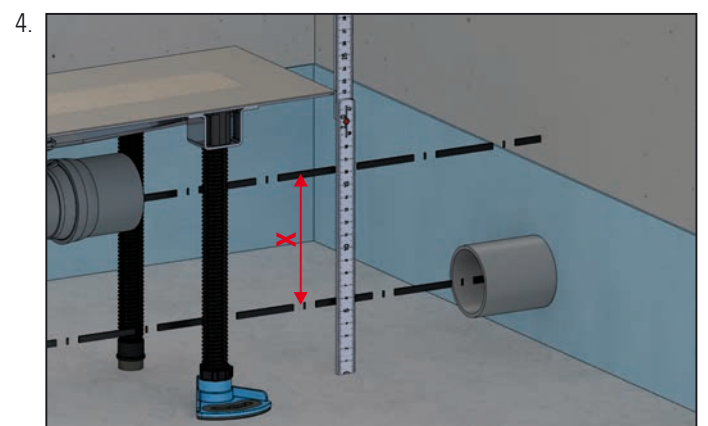
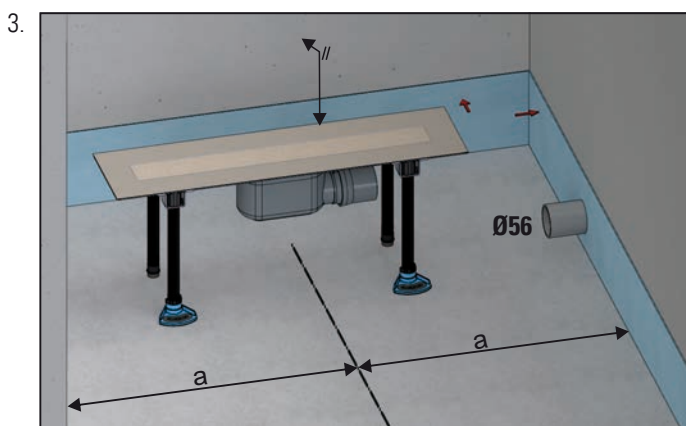
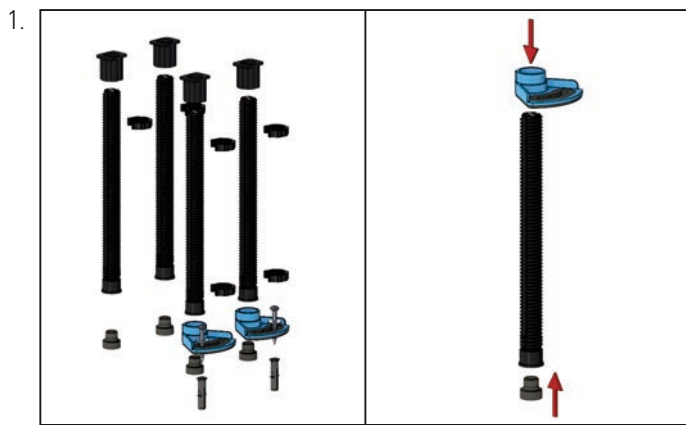
	Required	Dallmer
DN 50	0,8 l/s	1,4 l/s



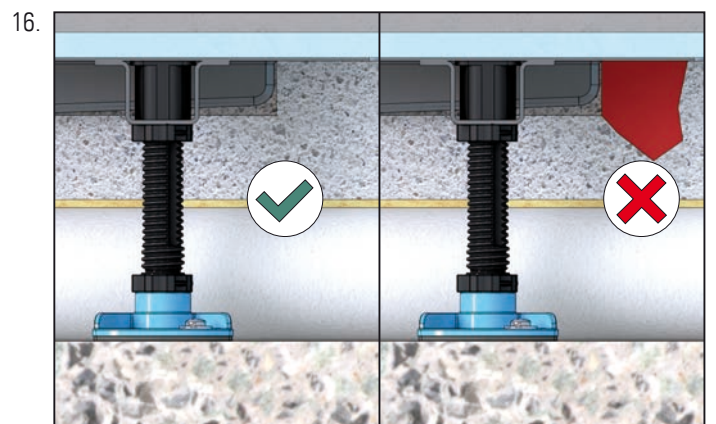
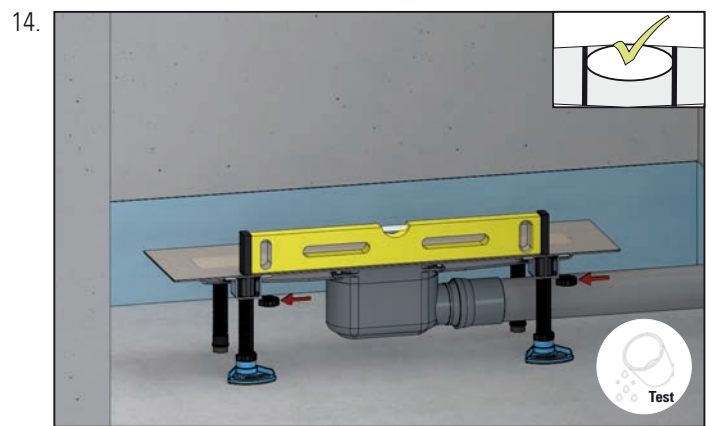
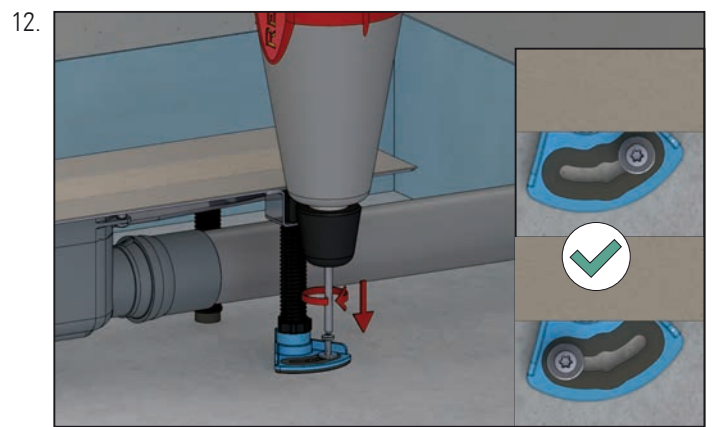
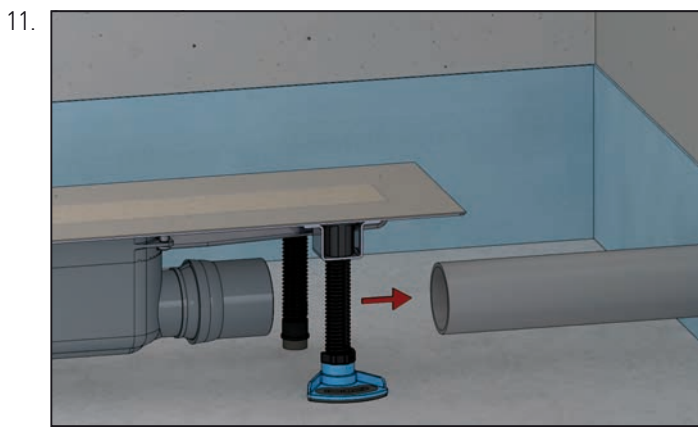
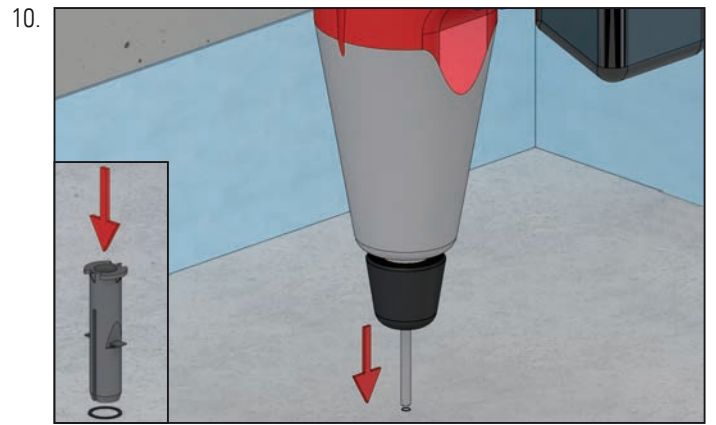
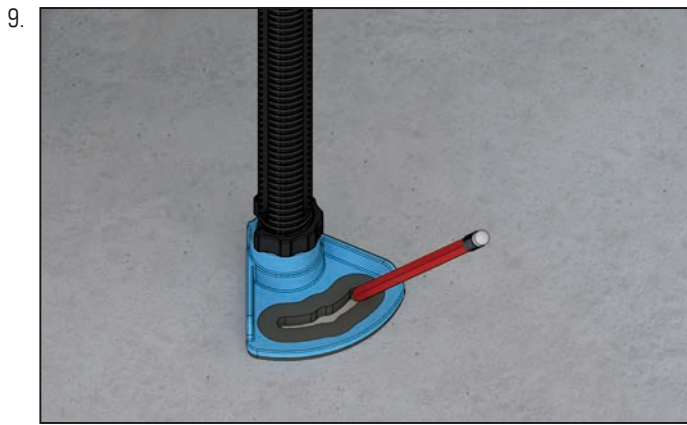
Important notes



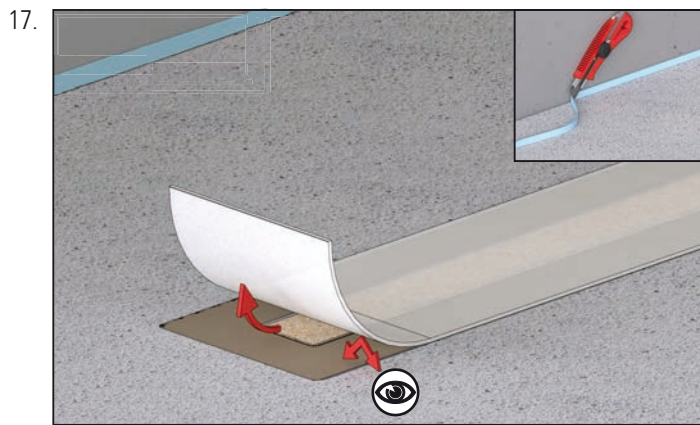
Installation



Installation



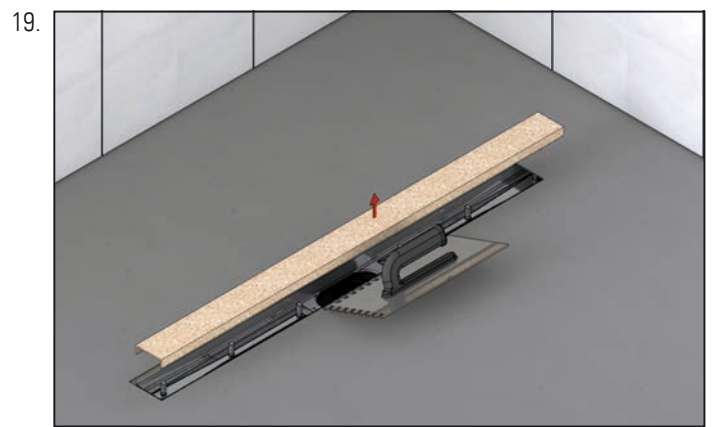
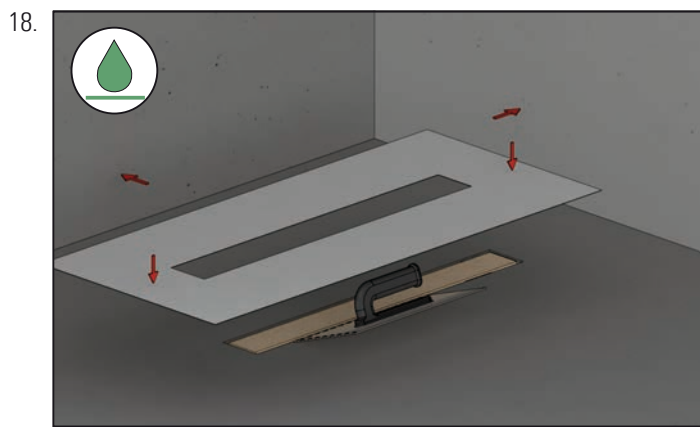
Installation



Waterproofings are to be executed according to DIN 18534



Surfaces dust-free



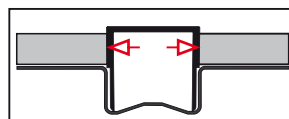
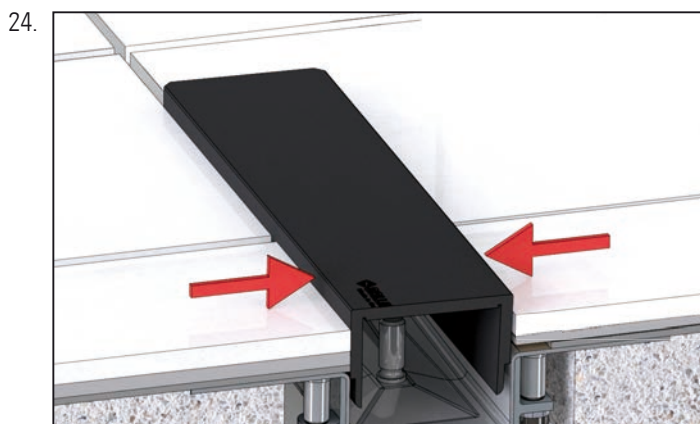
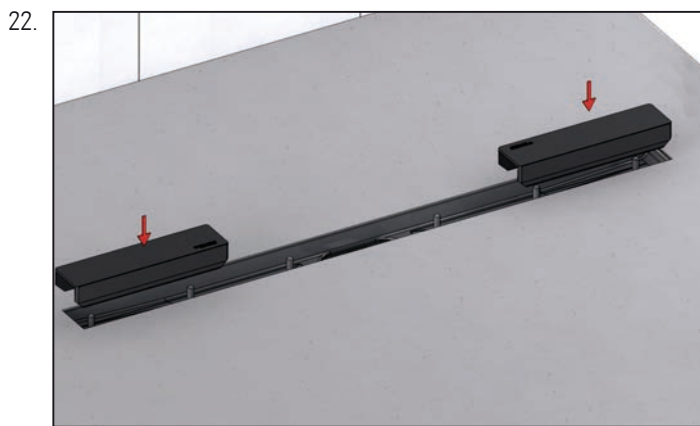
Installation



Installation fig. 22 - 24



Installation fig. 25 - 28



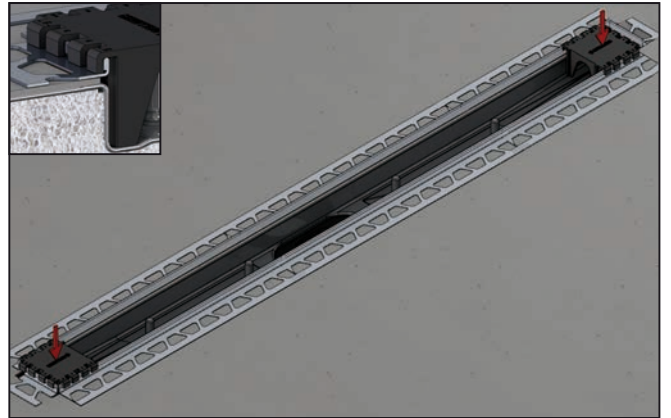
It is absolutely necessary to lay the tiles flush up to the tiling gauges!

Installation

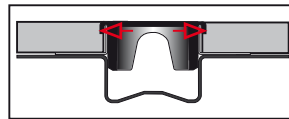
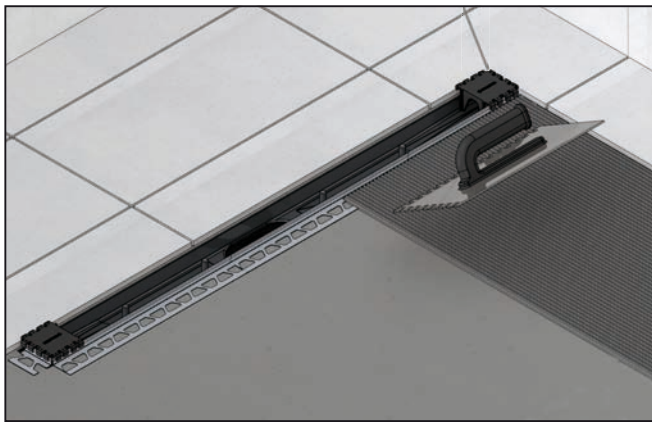


on site

25.

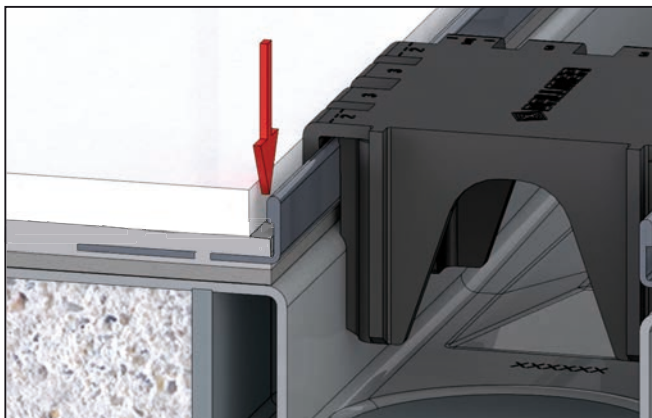


26.



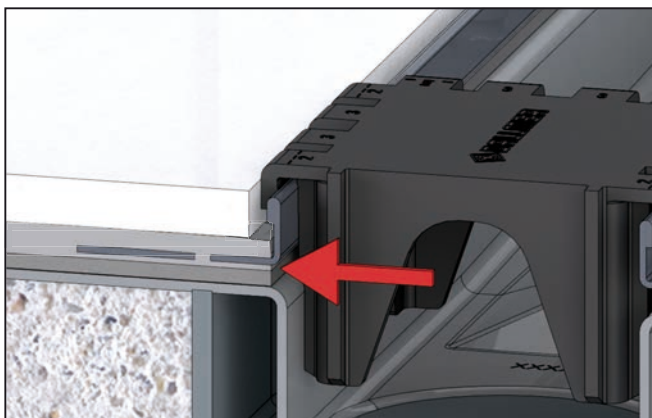
It is absolutely necessary to lay the tiles flush up to the edge trim jigs!

27.



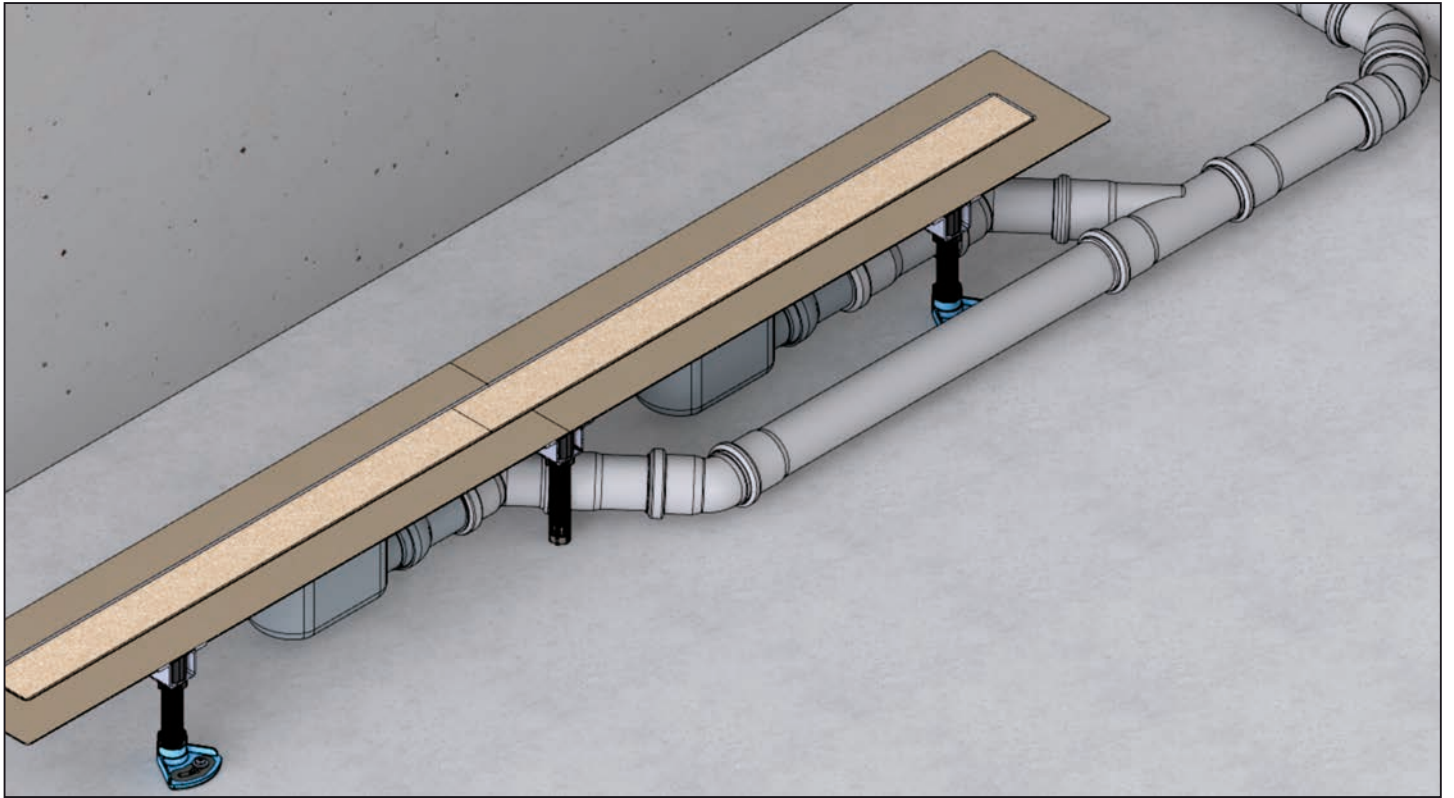
Close the joint with cement-based jointing mortar or with elastic joint filler

28.

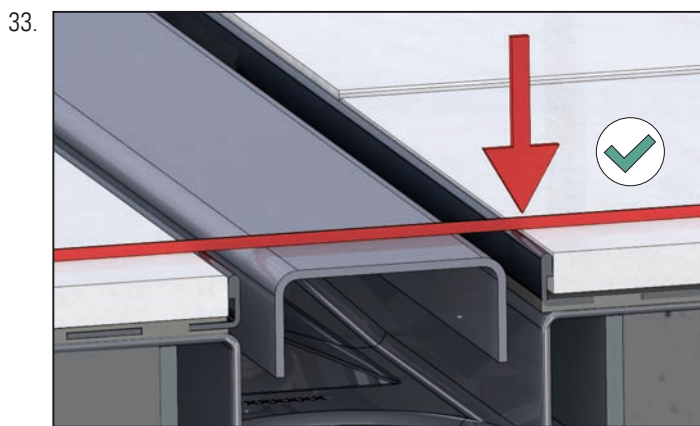
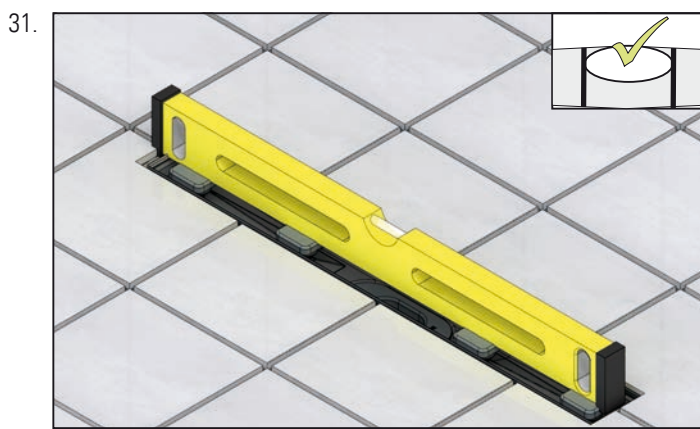
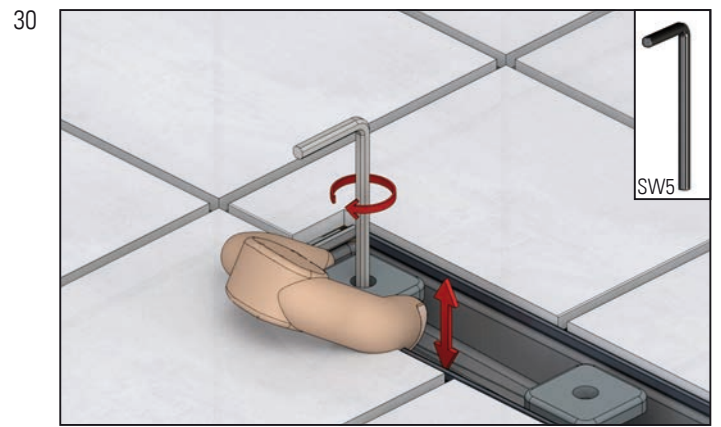
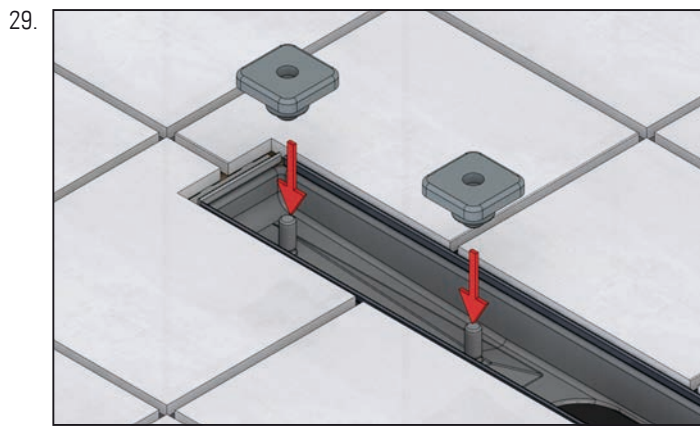


remove excess adhesive layer

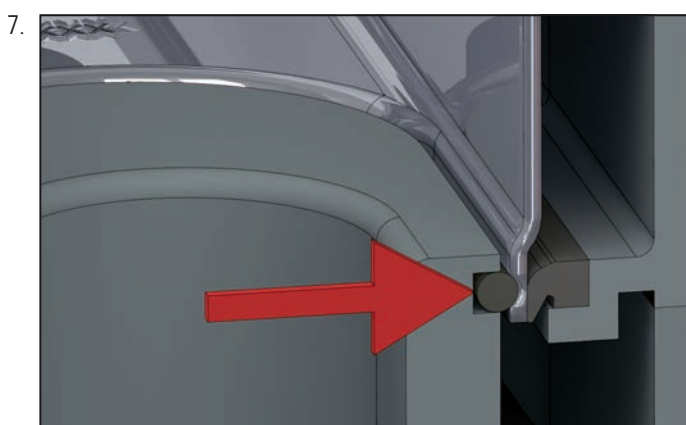
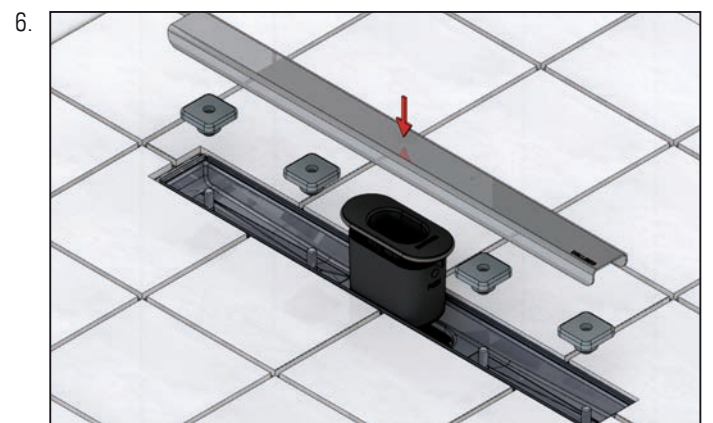
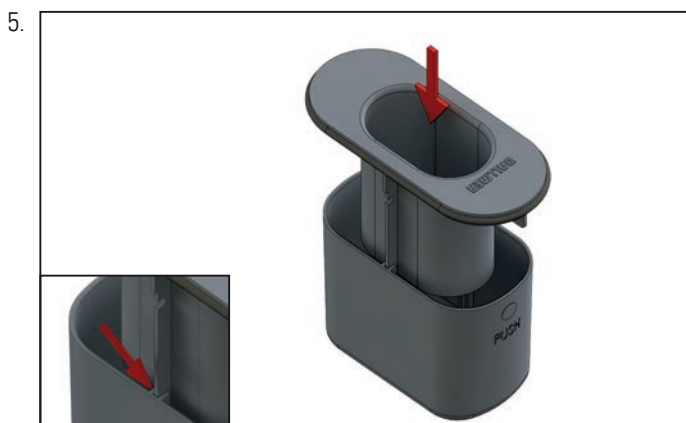
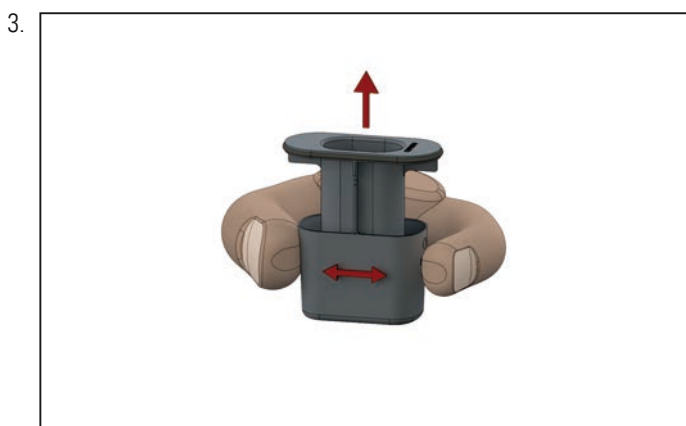
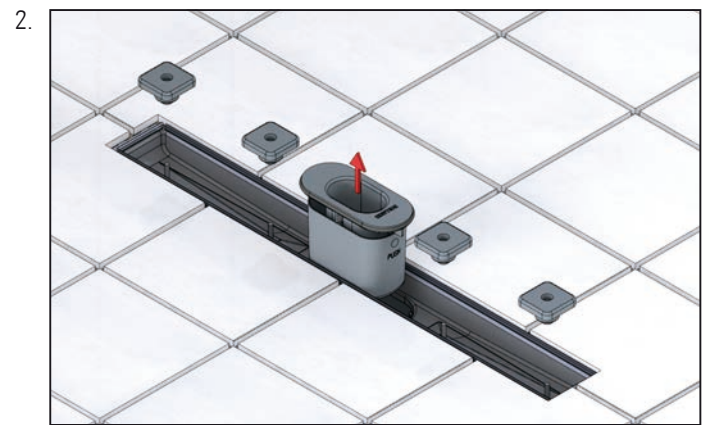
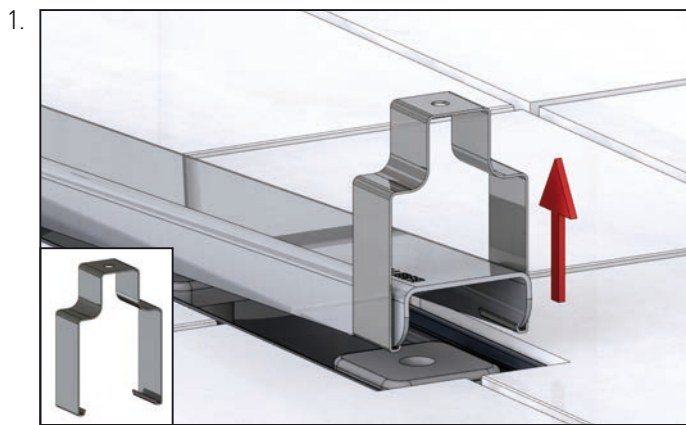
Connection with two traps 1300-2000 mm



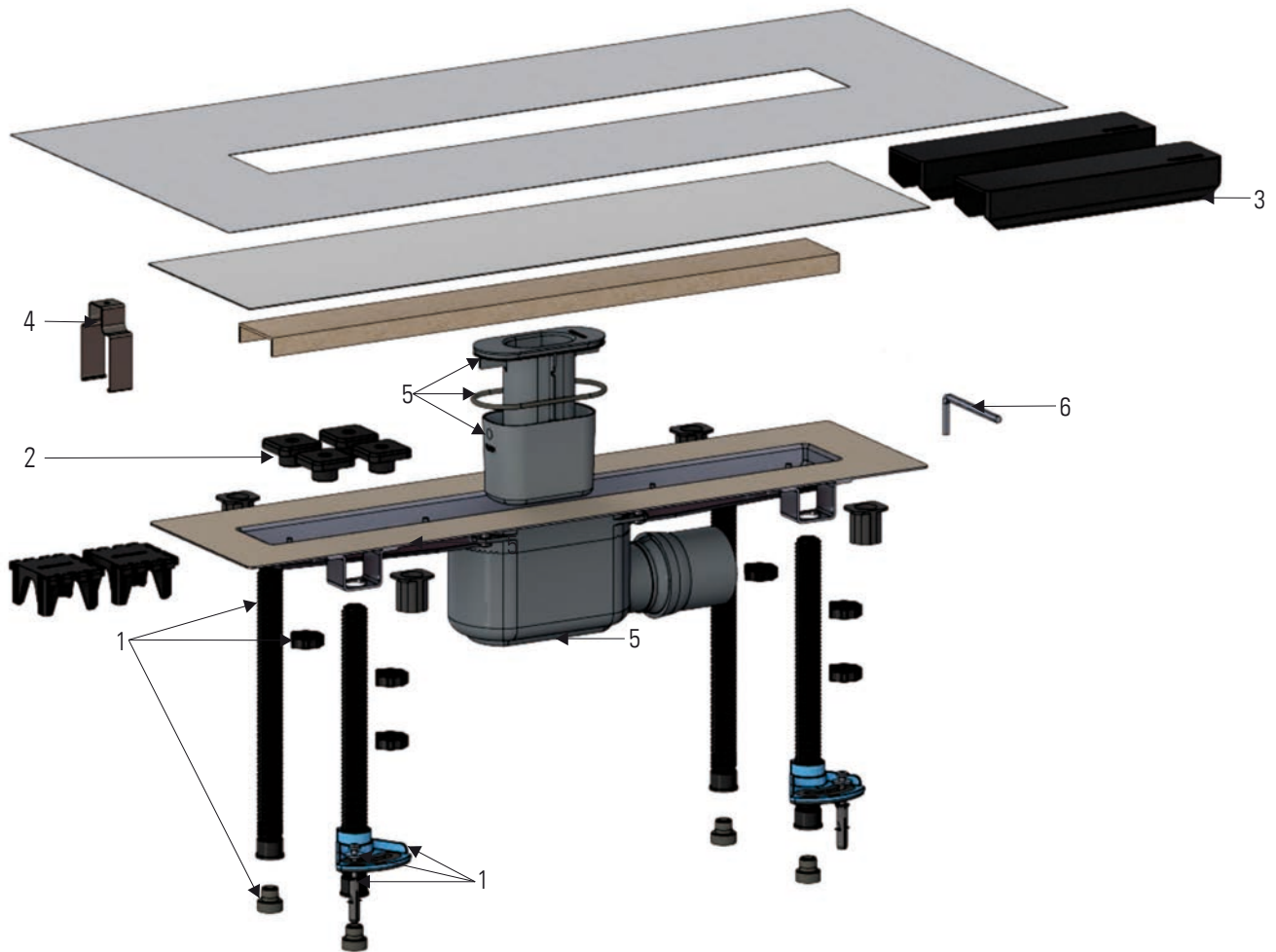
Installation cover plates



Cleaning and care



Spare parts and accessories



Accessories not included



1	Installation feet	521033	
2	Height adjustable screws II	523983 (19 mm)	523976 (32 mm Natural stone)
3	Tiling gauge	521064	
4	Service key	521088	
5	Trap insert	520845	
6	Allen key Sw5	524874	
7	Cleaning kit for stainless steel	520494	

Dallmer GmbH + Co. KG
Wiebelsheidestraße 25
59757 Arnsberg
Germany

T +49 2932 9616 - 0
F +49 2932 9616 - 222
E info@dallmer.de
W www.dallmer.com

DALLMER