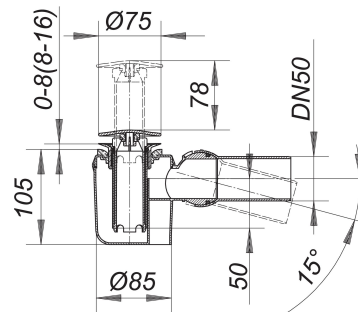


shower trap TELOS, raised grid chromed, DN 50

Part number: 150110
 GTIN: 4001636150110
 Rebate group: 1



Description:

shower trap TELOS, raised grid chromed, DN 50
 conforming to DIN EN 274
 for shower trays with a 50 mm outlet

specification

- outlet DN 50 horizontal, with ball-joint, adjustable 0 – 15 degrees
- integral stand pipe
- raised grid removable for cleaning

material

trap polypropylene, raised grid ABS

The outlet connector can be supplied in ABS to suit British Standard sizes and PE-HD conforming to DIN EN 1519. Please enquire.

Flow rates tested to DIN EN 274:

Nominal diameter	Product standard	Min. flow rate according to norm	Water level according to norm
DN 50	DIN EN 274	0.40 l/s	15.00 mm

Spare parts:

150516 raised grid TELOS with stand pipe, ABS