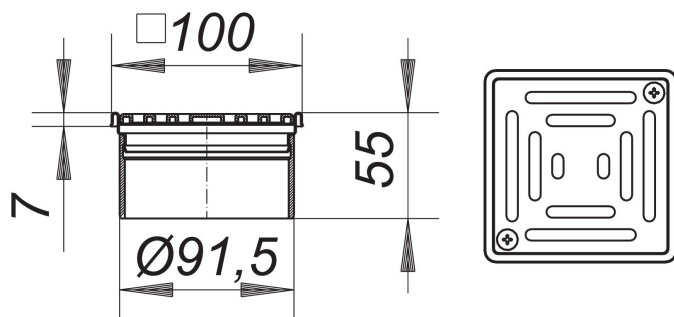


grating VN 10, secured, 100 x 100 mm

Part number: 400376
GTIN: 4001636400376
Rebate group: 5



Description:

grating VN 10, secured, 100 x 100 mm
for CeraDrain S 10 and TistoDrain S 10
height adjustable up to 40 mm with +/- 5.5 mm lateral adjustment, spigot ABS, frame 304 stainless steel, 100 x 100 mm, grate 304 stainless steel, secured, load class K 3 (300 kg)

Spare parts:

501066 grate EN 90, 90 x 90 mm