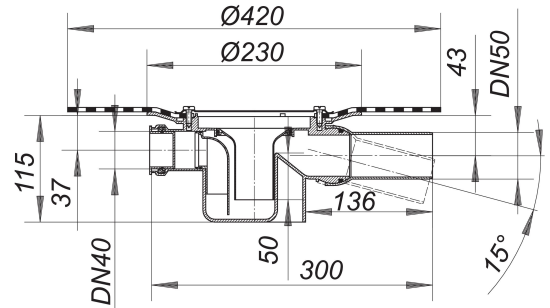


Floor drain body type 46 DallBit, inlet DN 40, DN 50

Part number: 462053
 GTIN: 4001636462053
 Rebate group: 3



Description:

Floor drain body type 46 DallBit, inlet DN 40, DN 50
 conforming to DIN EN 1253

With d: 420 mm collar of 5.0 mm thick bituminous membrane, welded to the flange and secured with stainless steel clamp ring.
 outlet DN 50 horizontal, with ball-joint, adjustable 0 – 15 degrees

specification

- DN 40 side inlet
- removable trap insert, 50 mm water seal (conforming to DIN EN 1253)
- temporary blanking plate

material

polypropylene

The outlet connector can be supplied in ABS to suit British Standard sizes and PE-HD conforming to DIN EN 1519. Please enquire.

Flow rates tested to DIN EN 1253:

Nominal diameter	Product standard	Min. flow rate according to norm	Water level according to norm
DN 50	DIN EN 1253	0.80 l/s	20.00 mm