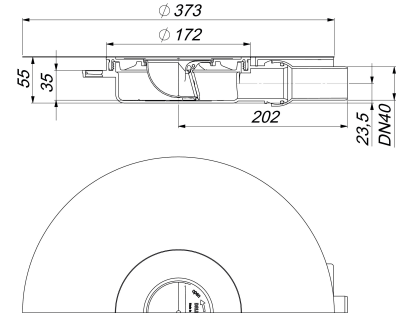
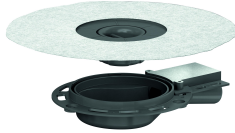


drain body DallDrain Plan DN 40

Part number: 517227
 GTIN: 4001636517227
 Rebate group: 6



Description:

drain body DallDrain Plan DN 40

For installation with gratings DallDrain, raising piece DallDrain. Outlet DN 40 horizontal, with ball-joint, adjustable from 0 – 15 degrees.

Specification

- Integrated screed anchoring
- Flexible, click-in sealing sleeve for secure connection to bonded and sheet waterproofing conforming to DIN 18534
- Fully removable, two-piece trap insert and rodding eye, 22 mm water seal (deviating to DIN EN 1253)
- Temporary blanking plate

Material

Drain body and outlet polypropylene, highly impact-resistant

Flow rates tested to:

| Nominal diameter | Product standard | Min. flow rate according to norm | Water level according to norm | Flow rate at water level 10 mm | Flow rate at water level 20 mm | Drainage capacity |
|------------------|------------------|----------------------------------|-------------------------------|--------------------------------|--------------------------------|-------------------|
| DN 40 | DIN EN 1253 | 0.40 l/s | 20.00 mm | 0.47 l/s | 0.54 l/s | 0.54 l/s |