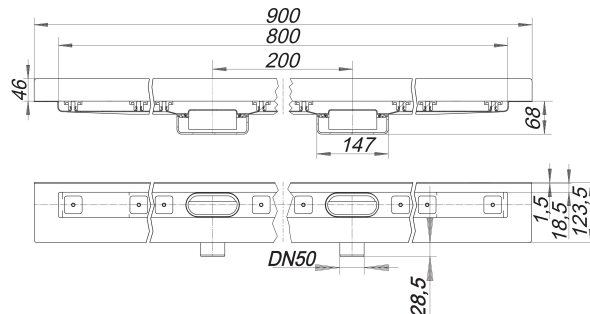
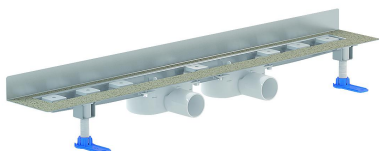


shower channel CeraLine Nano W Duo 800 mm, DN 50

Part number: 522290

GTIN: 4001636522290

Rebate group: 8



Description:

shower channel CeraLine Nano W Duo 800 mm, DN 50

Linear drainage for installation at wall

with two drain bodies, outlet DN 50 horizontal

specification

- sound absorbing height adjustable levelling legs
- integral sand coated flange for secure bonding of under-tile waterproofing
- removable trap insert, 24 mm water seal (deviating to DIN EN 1253)
- height adjustable screws
- temporary blanking plate
- tiling gauges
- edge trim jigs

material

channel 304 stainless steel, trap polypropylene

Options for CeraLine Nano W Duo:

- Any made-to-measure length up to 2000 mm can be supplied
- Upstands can be on back, back and one end or back and both ends
- Upstand can be set back for stone, marble wall finish

Please enquire!

The outlet connector can be supplied in ABS to suit British Standard sizes and PE-HD conforming to DIN EN 1519. Please enquire.

Flow rates tested to DIN EN 1253:

| Nominal diameter | Product standard | Min. flow rate according to norm | Water level according to norm |
|------------------|------------------|----------------------------------|-------------------------------|
| DN 50 | DIN EN 1253 | 0.80 l/s | 20.00 mm |