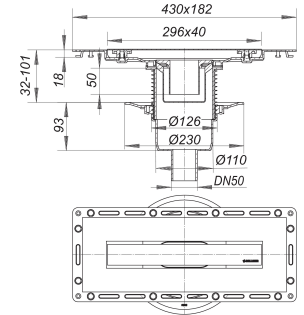


linear drain TistoLine vertical Standard 300, DN 50

Part number: 530301
 GTIN: 4001636530301
 Rebate group: 5



Description:

linear drain TistoLine vertical Standard 300, DN 50
 outlet DN 50 vertical

specification

- waterproofing flange with fleece surface
- Tisto-membrane
- temporary blanking plate
- trap insert easily removable for cleaning, 50 mm water seal (conforming to DIN EN 1253)
- height adjustable pedestals to level cover with mosaic, tile, stone etc.
- tile trim jig

material

drain body polypropylene

cover plate 304 stainless steel, 300 x 40 mm, load class K 3 (300 kg), for flooring 2 – 12 mm (incl. adhesiv)

Fire protection system 2 (Part No. 515025) applicable.

Can be connected to British standard pipework with adaptor part No. 880727.

Flow rates tested to DIN EN 1253:

Nominal diameter	Product standard	Min. flow rate according to norm	Water level according to norm	Flow rate at water level 10 mm	Flow rate at water level 20 mm
DN 50	DIN EN 1253	0.80 l/s	20.00 mm	1.00 l/s	1.12 l/s

Spare parts: