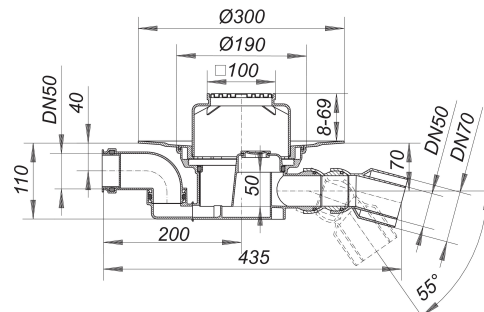


floor drain type 55 E, DN 50/DN 70, 100 x 100 mm

Part number: 551153
 GTIN: 4001636551153
 Rebate group: 3



Description:

floor drain type 55 E, DN 50/DN 70, 100 x 100 mm
 conforming to DIN EN 1253
 outlet DN 50/DN 70 horizontal, with double ball-joint, adjustable 0 – 55 degrees

specification

- DN 50 side inlet, swivelling 180 degrees
- height adjustable grating E 15
- trap with 50 mm water seal (conforming to DIN EN 1253)
- rodding eye*
- temporary blanking plate

material

polypropylene
 frame polypropylene, 100 x 100 mm, grate 304 stainless steel, load class K 3 (300 kg)

* Access to trap and outlet via rodding eye.

DN 70 connects to BS4514 75 mm pipework with 880345 adaptor.

Flow rates tested to DIN EN 1253:

Nominal diameter	Product standard	Min. flow rate according to norm	Water level according to norm
DN 70	DIN EN 1253	0.80 l/s	20.00 mm
DN 50	DIN EN 1253	0.80 l/s	20.00 mm

Spare parts:

500519 frame E 15, 100 x 100 mm

501011 grate E 90, 90 x 90 mm

551054 Floor drain body type 55, inlet DN 50,

590015 screwed plug for 54, 55, 57, 57 AK, 58,