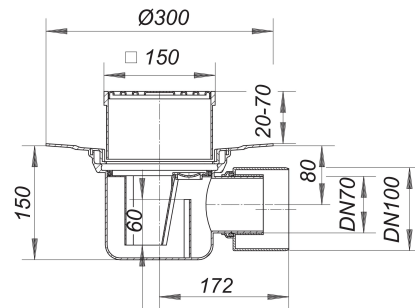


floor drain type 57 KE, DN 50/DN 70, 150 x 150 mm

Part number: 571274
 GTIN: 4001636571274
 Rebate group: 3



Description:

floor drain type 57 KE, DN 50/DN 70, 150 x 150 mm
 conforming to DIN EN 1253
 outlet DN 70/DN 100 horizontal

specification

- height adjustable grating KE 15
- trap with 50 mm water seal (conforming to DIN EN 1253)
- rodding eye*
- temporary blanking plate

material

polypropylen
 frame polypropylene, 150 x 150 mm, grate 304 stainless steel grate, class K 3 (300 kg)

* Access to trap and outlet via rodding eye.

DN 70 connects to BS4514 75 mm pipework with 880345 adaptor.

Flow rates tested to DIN EN 1253:

Nominal diameter	Product standard	Min. flow rate according to norm	Water level according to norm
DN 100	DIN EN 1253	1.40 l/s	20.00 mm
DN 70	DIN EN 1253	0.80 l/s	20.00 mm

Spare parts:

501110 grate E 140, 140 x 140 mm

590053 trap insert for 57, 57 AK, 58